

# Experian AutoCheck Report

Report run: 06/26/2024 21:09:45 EDT

## 2018 Ford F-150 Lariat / XL / XLT

Crew Cab 4D (2.7L V6 DI Gasoline)

VIN:	1FTEW1EP0JKF14663
Class:	Pickup - Fullsize
Country of Assembly:	United States
Vehicle Age:	6 year(s)
Last Reported Odometer:	112,000 (02/02/2023)



Vehicle Usage  
Lease



## AutoCheck Score

Similar vehicles usually range between **87** and **92**

### Vehicle History at a Glance



State Title Brand



Clean



Auction Brand / Issues



No Issue



Accident / Damage



Moderate



Open Recall Check



No Open Recalls



Insurance Loss / Transfer



No Issue



Odometer Check  
Last reported odometer:  
112,000 (02/02/2023)



No Issue



Certified Pre-Owned



No CPO Info Available



Service / Repair  
14 Service Record(s)  
Reported



No Issue



Additional History



No Issues Reported

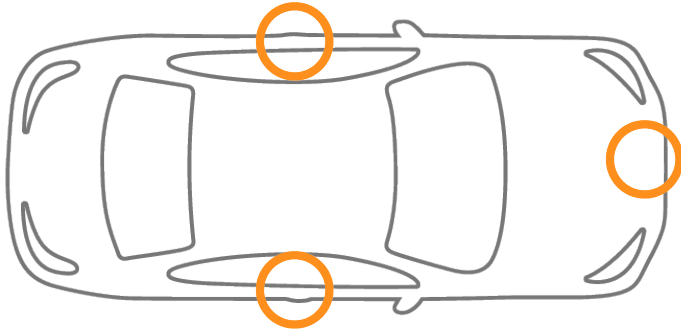


## This vehicle is eligible for Buyback Protection

Due to the vehicle's history showing no reported major state title brands. [Terms & Conditions](#)

[Learn More](#)

### Accident & Damage



Damage Date	Damage Type	Severity
01/18/2020	Collision	Moderate

Not all accidents and/or damage events are reported to Experian. Inspection by a third party prior to purchase is recommended. See **Detailed Vehicle History** for more information regarding accident /damage events.



Airbag Deployed



Structural Damage



Overturned



Moderate

### Odometer Check



#### Your Vehicle Checks Out

No odometer brands, rollbacks, rollover or tampering has been reported to AutoCheck from state Division of Motor Vehicles (DMV) or auction sources. AutoCheck also examined the sequence of reported odometer readings to determine if there are any potential discrepancies.



#### State Title Odometer Check

No issues reported



#### Auction Odometer Check

No issues reported



#### Odometer Calculation Check

No issues reported

### Detailed Vehicle History

Below are the historical events for this vehicle listed in chronological order.

**Vehicle:** 2018 Ford F-150 Lariat / XL / XLT (1FTEW1EP0JKF14663) **Report Run Date:** 06/26/2024 21:09:45 EDT

#### 2018 - Vehicle Prep and Other Pre-Titling Events

**Location:** SHAKOPEE, MN**Preparation Date:** 08/2018

Event Date	Location	Odometer	Data Source	Details
08/09/2018	SHAKOPEE, MN	1	Service Record	Safety Inspection Performed Brakes Serviced

## 2018 - Owner 1

**Location:** MN**Owned From:** 10/2018**Usage:** Lease

Event Date	Location	Odometer	Data Source	Details
10/16/2018	MN	22	Motor Vehicle Dept.	Title(Title #:00RWZ22-1) (Leased Vehicle) Registration Event/Renewal(Leased Vehicle)
12/17/2018	SAINT PAUL, MN	6,228	Service Record	Battery Serviced or Replaced Multiple Point Vehicle Inspection Engine Serviced Brakes Serviced Tires or Wheels Service Performed Lube, Oil And/Or Filter Changed
06/17/2019	SAINT PAUL, MN		Motor Vehicle Dept.	Registration Event/Renewal(Leased Vehicle)
07/15/2019	SAINT PAUL, MN	21,341	Service Record	Battery Serviced or Replaced Multiple Point Vehicle Inspection Engine Serviced Brakes Serviced Tires or Wheels Service Performed Lube, Oil And/Or Filter Changed
01/18/2020	MN		State Agency	Front Impact with Another Vehicle(Case #: 780846)
01/24/2020	SAINT PAUL, MN		Damage Report	Accident or Damage Reported Vehicle Damage Reported Left Side Damage or Repair Reported Right Side Damage or Repair Reported Damage or Repair to Bumper Reported Damage or Repair to Hood Reported Damage or Repair to Wheels Reported Damage or Repair to Grille Reported
01/27/2020	SAINT PAUL, MN	32,923	Damage Report	Accident or Collision Reported
01/27/2020			Damage Report	Moderate Damage Reported
01/27/2020			Damage Report	Body Repair Performed
01/27/2020			Damage Report	Structural or Frame Repair Performed Mechanical Repair Performed
03/31/2020			Manufacturer	Manufacturer Service Bulletin Mfr. Recall 20N01 Warranty Extension - Single Repair: UNINTENDED TAILGATE OPENING LOCATE YOUR NEAREST AUTHORIZED <b>FORD DEALER</b> TO SCHEDULE REPAIR. Status: Remedy Unknown

04/30/2020	SAINT PAUL, MN	37,025	Service Record	Steering System Serviced Battery Serviced or Replaced Multiple Point Vehicle Inspection Engine Serviced Brakes Serviced Tires or Wheels Service Performed Lube, Oil And/Or Filter Changed Vehicle Fluids Serviced
06/18/2020	SAINT PAUL, MN		Motor Vehicle Dept.	Registration Event/Renewal(Leased Vehicle)
08/17/2020	SAINT PAUL, MN	46,872	Service Record	Battery Serviced or Replaced Multiple Point Vehicle Inspection Engine Serviced Brakes Serviced Tires or Wheels Service Performed Lube, Oil And/Or Filter Changed Vehicle Fluids Serviced
10/13/2020	SAINT PAUL, MN	53,409	Service Record	Air Filter Changed Multiple Point Vehicle Inspection Engine Serviced Lube, Oil And/Or Filter Changed
11/24/2020	SAINT PAUL, MN	56,381	Service Record	Battery Serviced or Replaced Multiple Point Vehicle Inspection Engine Serviced Brakes Serviced Tires or Wheels Service Performed Lube, Oil And/Or Filter Changed Vehicle Fluids Serviced
02/24/2021	SAINT PAUL, MN	61,443	Service Record	Multiple Point Vehicle Inspection Engine Serviced Brakes Serviced Tires or Wheels Service Performed Lube, Oil And/Or Filter Changed
06/09/2021	SAINT PAUL, MN		Motor Vehicle Dept.	Registration Event/Renewal(Leased Vehicle)
06/09/2021	SAINT PAUL, MN	68,932	Service Record	Multiple Point Vehicle Inspection Engine Serviced Tires or Wheels Service Performed Lube, Oil And/Or Filter Changed
06/30/2021			Manufacturer	Manufacturer Service Bulletin Mfr. Recall 20M04 Customer Satisfaction Program - Multi Repair: POWER DOOR LOCK ACTUATOR FAILURE LOCATE YOUR NEAREST AUTHORIZED <b>FORD DEALER</b> TO SCHEDULE REPAIR. Status: Remedy Unknown
09/13/2021	SAINT PAUL, MN	79,460	Service Record	Multiple Point Vehicle Inspection Engine Serviced Brakes Serviced Tires or Wheels Service Performed Lube, Oil And/Or Filter Changed
11/29/2021	SAINT PAUL, MN	85,587	Service Record	Air Filter Changed Multiple Point Vehicle Inspection Engine Serviced Lube, Oil And/Or Filter Changed
03/24/2022	SAINT PAUL, MN	91,334	Service Record	Multiple Point Vehicle Inspection Engine Serviced Lube, Oil And/Or Filter Changed
05/20/2022			Manufacturer	Manufacturer Service Bulletin Mfr. Recall 21M06

Customer Satisfaction Program - Multi Repair: UNINTENDED TAILGATE OPENING LOCATE YOUR NEAREST AUTHORIZED **FORD DEALER** TO SCHEDULE REPAIR. Status: Remedy Unknown

06/14/2022	SAINT PAUL, MN		Motor Vehicle Dept.	Registration Event/Renewal(Leased Vehicle)
07/26/2022	SAINT PAUL, MN	106,246	Service Record	Multiple Point Vehicle Inspection Engine Serviced Exhaust System Serviced Electrical System Serviced Lube, Oil And/Or Filter Changed
10/11/2022	SAINT PAUL, MN		Service Record	Air Filter Changed Multiple Point Vehicle Inspection Engine Serviced Transmission Serviced Brakes Serviced Tires or Wheels Service Performed Lube, Oil And/Or Filter Changed
02/02/2023	PINE CITY, MN	112,000	Dealer Listing	Vehicle Listed for Sale

## Unreported Event Dates

The following events have been reported to AutoCheck without a specified date.

Event Date	Location	Odometer	Data Source	Details
Unreported			Independent Source	Vehicle Manufactured and Shipped to Dealer

### AutoCheck Terms and Conditions

This report, and any reliance upon it, is subject to [AutoCheck Terms and Conditions](#). If you obtained the report from a lender/dealer, the lender/dealer has been provided with these Terms and Conditions and can share them with you. These AutoCheck Terms and Conditions are also available at any time at [www.autocheck.com/terms](http://www.autocheck.com/terms) or by writing to Experian: Experian Automotive C/O AutoCheck Customer Service 1515 E. Woodfield Road, Suite 500, Schaumburg, IL 60173.

### Buyback Protection Terms and Conditions

This vehicle ( 1FTEW1EP0JKF14663) qualifies for [AutoCheck Buyback Protection](#). If you obtained the report from a dealer, the dealer has been provided with the terms and can share them with you. These Buyback Protection Terms and Conditions are also available to you at any time at [www.autocheck.com/bbptterms](http://www.autocheck.com/bbptterms) or by writing to Experian: Experian Automotive C/O AutoCheckCustomer Service 1515 E. Woodfield Road, Suite 500, Schaumburg, IL 60173.

### About AutoCheck

AutoCheck vehicle history reports by Experian Automotive is the leading vehicle history reporting service. With expert data handling, the Experian Automotive database houses over 4 billion records on a half a billion vehicles. Every AutoCheck vehicle history report will give you confidence when buying or selling your next used vehicle, with superior customer service every step of the way.

### Patent Notice

Certain aspects of this vehicle history report may be covered by U.S. Patent 8,005,759.

