

# Experian AutoCheck Report

Report run: 08/16/2024 19:05:37 EDT

## 2014 Ford F-150 FX4 / King Ranch / Lariat / Platinum / STX / XL / XLT

Crew Cab 4D (5.0L V8 SMPI Flex Fuel)

VIN:	1FTFW1EF6EKG48417
Class:	Pickup - Fullsize
Country of Assembly:	United States
Vehicle Age:	10 year(s)
Last Reported Odometer:	166,000 (06/04/2024)

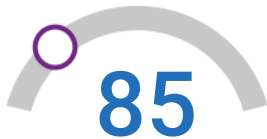
Owners - 2



Vehicle Usage

Personal

83



91

## AutoCheck Score

Similar vehicles usually range between **83** and **91**

### Vehicle History at a Glance



State Title Brand



Clean



Auction Brand / Issues



No Issue



Accident / Damage



Damage Reported



Open Recall Check



1 Open Recall(s)



Insurance Loss / Transfer



No Issue



Odometer Check

Last reported odometer:  
166,000 (06/04/2024)



No Issue



Certified Pre-Owned



No CPO Info Available



Service / Repair  
11 Service Record(s)  
Reported



No Issue



Additional History

Lien Reported, Corrected  
Title



Events Reported

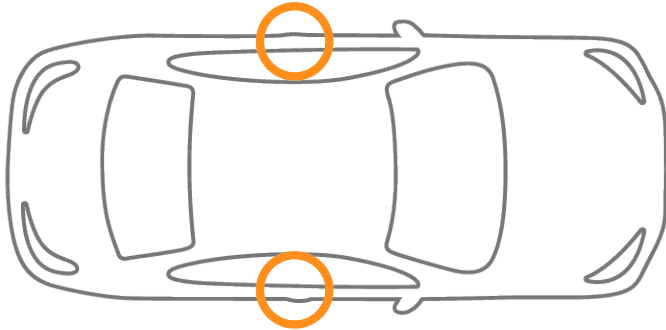


## This vehicle is eligible for Buyback Protection

Due to the vehicle's history showing no reported major state title brands. [Terms & Conditions](#)

[Learn More](#)

### Accident & Damage



Damage Date	Damage Type	Severity
04/10/2018	Collision	Unknown

Not all accidents and/or damage events are reported to Experian. Inspection by a third party prior to purchase is recommended. See **Detailed Vehicle History** for more information regarding accident /damage events.



Airbag Deployed



Structural Damage



Overturned



Unknown

### Open Recall Check



#### Information Reported: AutoCheck found 1 open recall(s).

It is recommended that this vehicle be taken to the nearest dealer to have the recalled components replaced or fixed. Service bulletins if available are not part of open recalls and can be found in the vehicle history details.

Recall Date	Recall Type	NHTSA / OEM Recall No.	Campaign Description
06/17/2024	Safety	24V444 / 24S37	Safety Recall: 6R80 SUDDEN TRANSMISSION DOWNSHIFT POWERTRAIN CONTROL MODULE PROGRAMMING Status: Remedy Available

[More information](#) including remedy or risk factors. Locate your nearest authorized [Ford Dealer](#) to schedule repair.



### Your Vehicle Checks Out

No odometer brands, rollbacks, rollover or tampering has been reported to AutoCheck from state Division of Motor Vehicles (DMV) or auction sources. AutoCheck also examined the sequence of reported odometer readings to determine if there are any potential discrepancies.



#### State Title Odometer Check

No issues reported



#### Auction Odometer Check

No issues reported



#### Odometer Calculation Check

No issues reported

### Detailed Vehicle History

Below are the historical events for this vehicle listed in chronological order.

**Vehicle:** 2014 Ford F-150 FX4 / King Ranch / Lariat / Platinum / STX / XL / XLT (1FTFW1EF6EKG48417) **Report Run Date:** 08/16/2024 19:05:37 EDT

#### 2014 - Vehicle Prep and Other Pre-Titling Events

**Preparation Date:** 12/2014

Event Date	Location	Odometer	Data Source	Details
12/26/2014			Independent Source	Vehicle Manufactured and Shipped to Dealer


#### 2015 - Owner 1

**Location:** MN

**Owned From:** 04/2015

**Usage:** Personal

Event Date	Location	Odometer	Data Source	Details
04/03/2015	HINCKLEY, MN		Motor Vehicle Dept.	Registration Event/Renewal
05/01/2015	HINCKLEY, MN	457	Motor Vehicle Dept.	Title(Title #:K121C0502) (Lien Reported) Corrected Title(Lien Reported)
02/26/2016	ISANTI, MN		Dealer Service	Air Filter Changed Battery Serviced or Replaced Multiple Point Vehicle Inspection Brakes Serviced Tires or Wheels Service Performed Lube, Oil And/Or Filter Changed Promotional Service Performed
04/15/2016	HINCKLEY, MN		Motor Vehicle Dept.	Registration Event/Renewal

06/10/2016	HINCKLEY, MN		Motor Vehicle Dept.	Title(Title #:B162D0604) (Lien Reported) Corrected Title(Lien Reported)
03/22/2017	ISANTI, MN		Dealer Service	Multiple Point Vehicle Inspection Lube, Oil And/Or Filter Changed Promotional Service Performed
06/29/2017	HINCKLEY, MN		Motor Vehicle Dept.	Registration Event/Renewal
11/03/2017	ISANTI, MN	46,696	Dealer Service	Multiple Point Vehicle Inspection Tires or Wheels Service Performed Lube, Oil And/Or Filter Changed Promotional Service Performed
04/10/2018	HINCKLEY, MN		Damage Report	Accident or Damage Reported Vehicle Damage Reported Left Side Damage or Repair Reported Right Side Damage or Repair Reported Damage or Repair to Wheels Reported Damage or Repair to Fender Reported
				
11/26/2018	WELLS, MN	76,669	Independent Repair Center	Cooling System Serviced Air Filter Changed Engine Serviced Chassis Serviced Tires or Wheels Service Performed Lube, Oil And/Or Filter Changed
03/19/2019	HINCKLEY, MN		Motor Vehicle Dept.	Registration Event/Renewal
07/02/2019	WELLS, MN	90,121	Independent Repair Center	Chassis Serviced Lights or Signals Serviced Lube, Oil And/Or Filter Changed
12/20/2019	WELLS, MN	101,000	Independent Repair Center	Lube, Oil And/Or Filter Changed
04/14/2020	WELLS, MN	106,200	Independent Repair Center	Chassis Serviced Lube, Oil And/Or Filter Changed
10/27/2020	WELLS, MN	113,005	Independent Repair Center	Chassis Serviced Lights or Signals Serviced Tires or Wheels Service Performed Lube, Oil And/Or Filter Changed
11/24/2020	WELLS, MN	113,964	Independent Repair Center	Tires or Wheels Service Performed
02/16/2021	WELLS, MN		Motor Vehicle Dept.	Registration Event/Renewal
03/29/2021	WELLS, MN	116,566	Independent Repair Center	Chassis Serviced Brakes Serviced Lube, Oil And/Or Filter Changed
10/08/2021	ISANTI, MN	124,541	Dealer Service	Electrical System Serviced
03/04/2022	WELLS, MN		Motor Vehicle Dept.	Registration Event/Renewal
05/02/2023	HINCKLEY, MN		Motor Vehicle Dept.	Registration Event/Renewal
11/09/2023	HINCKLEY, MN		Motor Vehicle Dept.	Registration Event/Renewal
11/15/2023	HINCKLEY, MN	161,741	Motor Vehicle Dept.	Title(Title #:21827734-1) (Lien Reported)

Location: MN

Owned From: 05/2024

Usage: Personal

Event Date	Location	Odometer	Data Source	Details
05/13/2024	SANDSTONE, MN		Motor Vehicle Dept.	Registration Event/Renewal
06/04/2024	SANDSTONE, MN	166,000	Motor Vehicle Dept.	Title(Title #:22599385-1)

#### AutoCheck Terms and Conditions

This report, and any reliance upon it, is subject to [AutoCheck Terms and Conditions](#). If you obtained the report from a lender/dealer, the lender/dealer has been provided with these Terms and Conditions and can share them with you. These AutoCheck Terms and Conditions are also available at any time at [www.autocheck.com/terms](http://www.autocheck.com/terms) or by writing to Experian: Experian Automotive C/O AutoCheck Customer Service 1515 E. Woodfield Road, Suite 500, Schaumburg, IL 60173.

#### Buyback Protection Terms and Conditions

This vehicle ( 1FTFW1EF6EKG48417) qualifies for [AutoCheck Buyback Protection](#). If you obtained the report from a dealer, the dealer has been provided with the terms and can share them with you. These Buyback Protection Terms and Conditions are also available to you at any time at [www.autocheck.com/bbpterm](http://www.autocheck.com/bbpterm) or by writing to Experian: Experian Automotive C/O AutoCheckCustomer Service 1515 E. Woodfield Road, Suite 500, Schaumburg, IL 60173.

#### About AutoCheck

AutoCheck vehicle history reports by Experian Automotive is the leading vehicle history reporting service. With expert data handling, the Experian Automotive database houses over 4 billion records on a half a billion vehicles. Every AutoCheck vehicle history report will give you confidence when buying or selling your next used vehicle, with superior customer service every step of the way.

#### Patent Notice

Certain aspects of this vehicle history report may be covered by U.S. Patent 8,005,759.

